

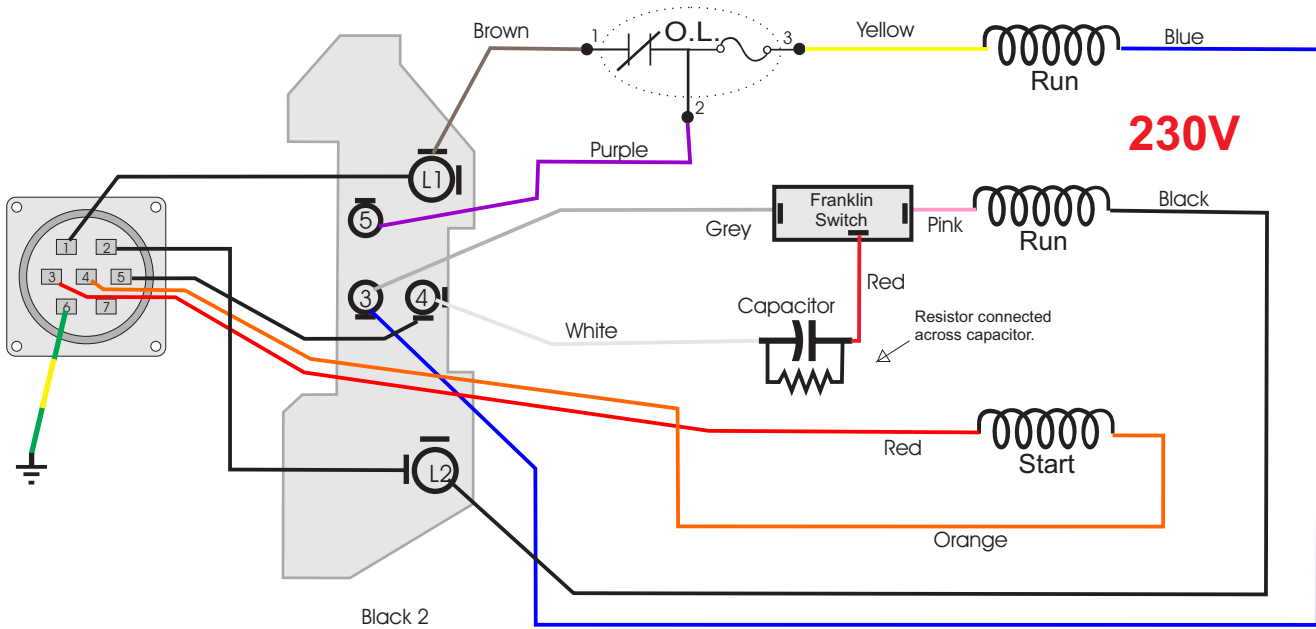
Solid State Start Switch SS110C (Combination Motor)



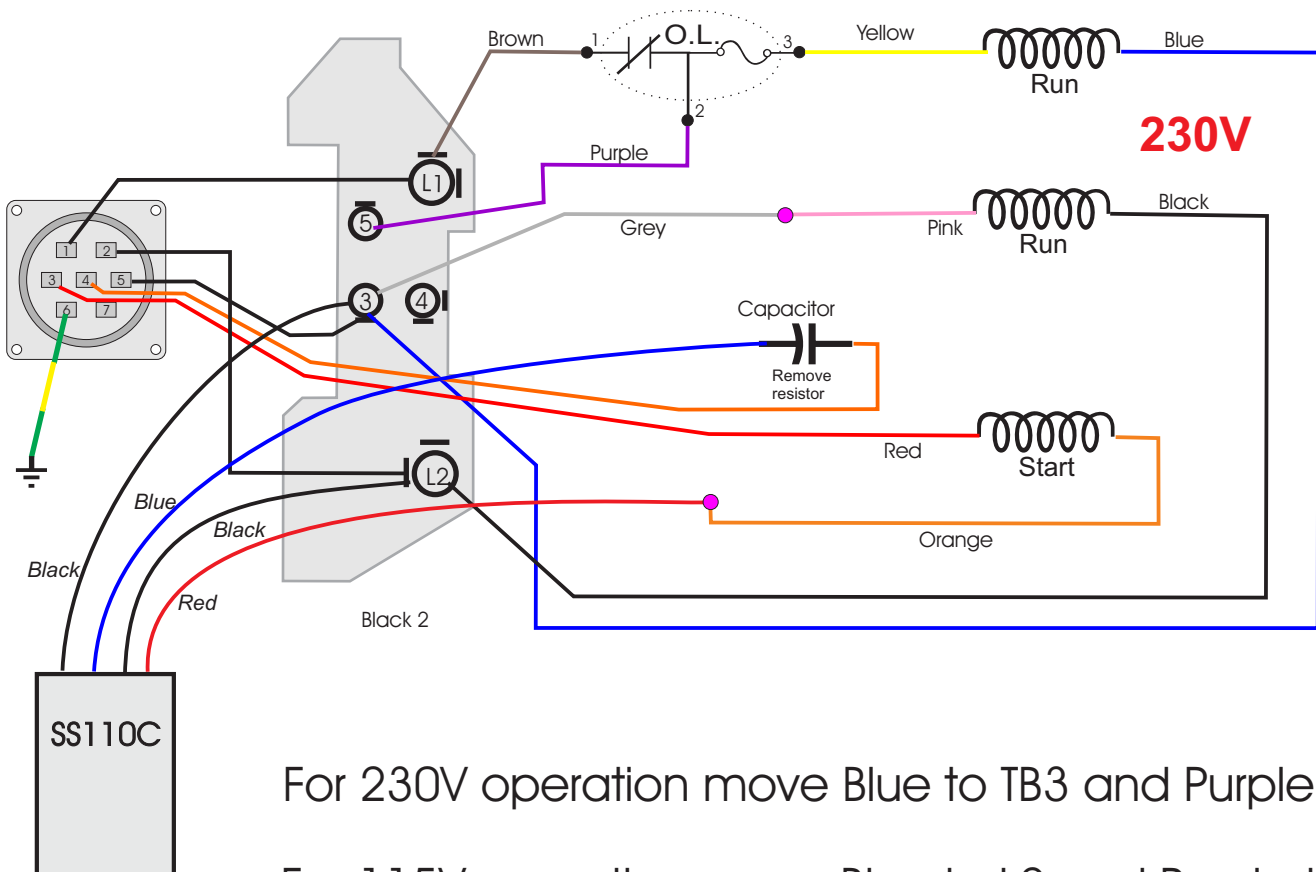
Document version 20230112

Connection diagram for AMF Franklin (82-90) dual voltage Sweep and Table motors
Supply Voltage 230V

Before



After



For 230V operation move Blue to TB3 and Purple to TB5.

For 115V operation move Blue to L2 and Purple to TB3.